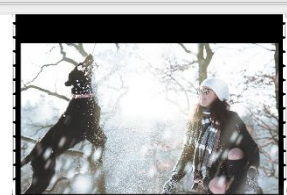


JK Pro Tab In-Ceiling Electric Screen

Electrically operated projection screens available in various sizes and aspect ratios.

Available in Matt White & Grey Fabrics*



JK HD Series Features:

- White *in-ceiling* aluminium case.
- High quality tab tensioned fibre glass material.
- Available in Matt White fabric & (**Grey Fabric***)
- Advanced tubular motor for quiet, fast operation.
- White aluminium weight bar to keep fabric flat.
- External remote control receiver RF remote, 12 volt trigger, RS232
- Mounting brackets & fasteners, remote cradle.
- Sizes are viewing areas.
- Aspect ratios available 16:9 and 16:10.

***16:9 Only – up to 133”**

- **12 MONTHS RTB WARRANTY**

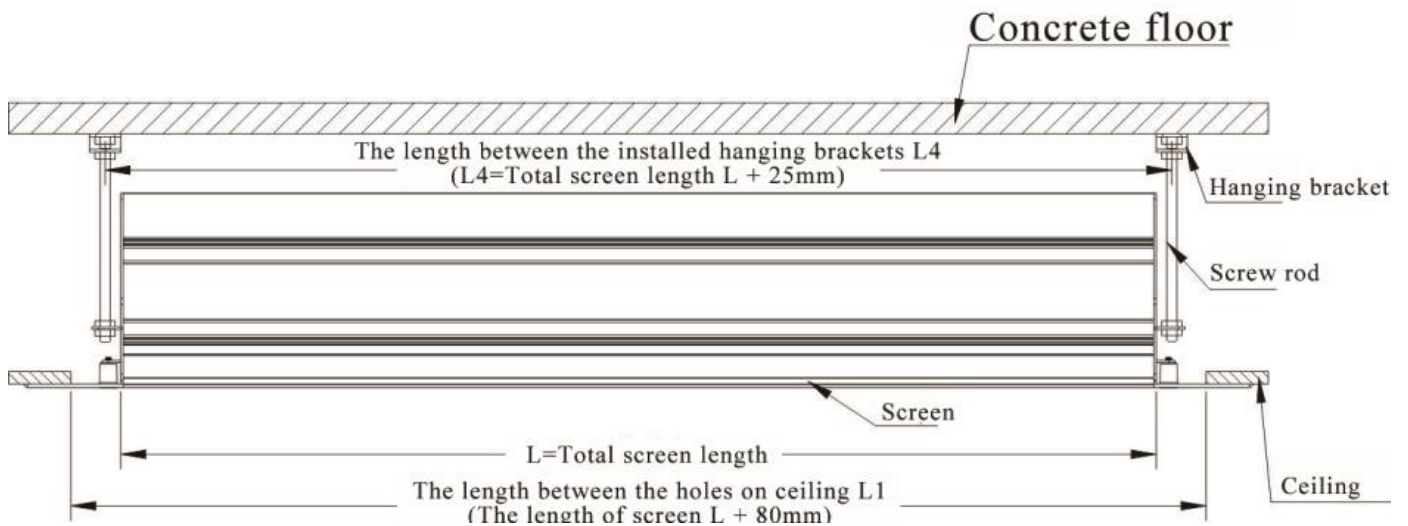
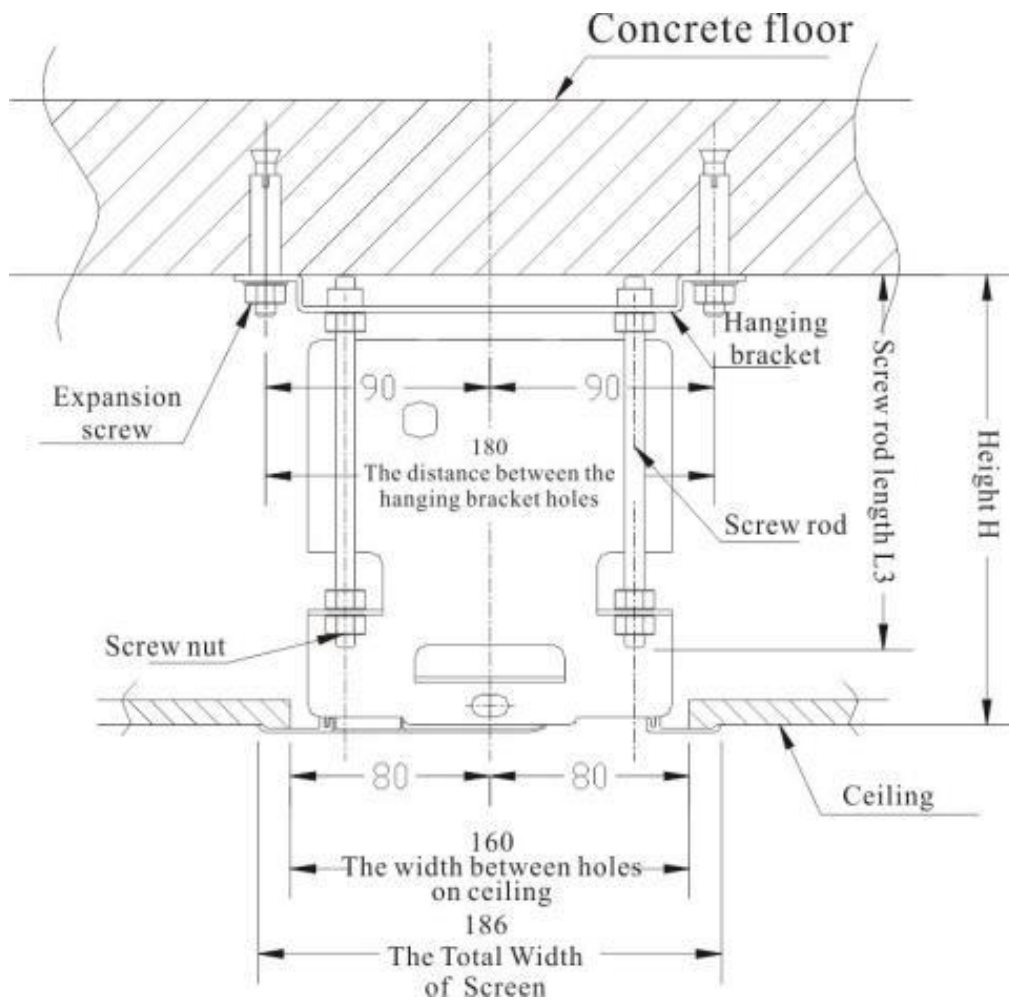


TECHNICAL SPECIFICATIONS

Format	Diag. Size (inch)	Viewing area W x H (mm)	Case Length without bracket (mm)	Total Height (mm)	Black Drop (mm)	Packing Size (mm) LxWxH	Gross Weight (kg)	Manu Model #	Manu Model # (Grey Fabric)
16:9	92"	2030 x 1140	2550	1680	300	2730x220x250	34	JK HD3 E9 92TIC	JK HD3 E9 92TICG
	106"	2345 x 1320	2865	1860	300	3045x220x250	38	JK HD3 E9 106TIC	JK HD3 E9 106TICG
	119"	2635 x 1480	3155	1960	300	3335x220x250	41	JK HD3 E9 119TIC	JK HD3 E9 119TICG
	133"	2950 x 1655	3470	2010	150	3650x220x250	45	JK HD3 E9 133TIC	JK HD3 E9 133TICG
	150"	3320 x 1780	3840	2150	100	4020x220x250	54	JK HD3 E9 150TIC	N/A
16:10	92"	1980 x 1240	2500	1760	300	2680x220x250	37	JK HD3 E10 92TIC	N/A
	106"	2280 x 1425	2800	1890	300	2980x220x250	41	JK HD3 E10 106TIC	N/A
	119"	2560 x 1600	3080	1960	150	3260x220x250	44	JK HD3 E10 119TIC	N/A
	133"	2860 x 1790	3380	2010	100	3560x220x250	48	JK HD3 E10 133TIC	N/A
	150"	3230 x 2020	3750 with internal remote	2290	100	3930x220x250	57	JK HD3 E10 150TIC	N/A

Width between the installation screws: 180mm

Ceiling Opening Width Needed: 160mm



SOLUTION[®]
TECHNOLOGIES



SPECIALIST AUDIOVISUAL DISTRIBUTOR