



PRO TAB IN-CEILING ELECTRIC SCREENS



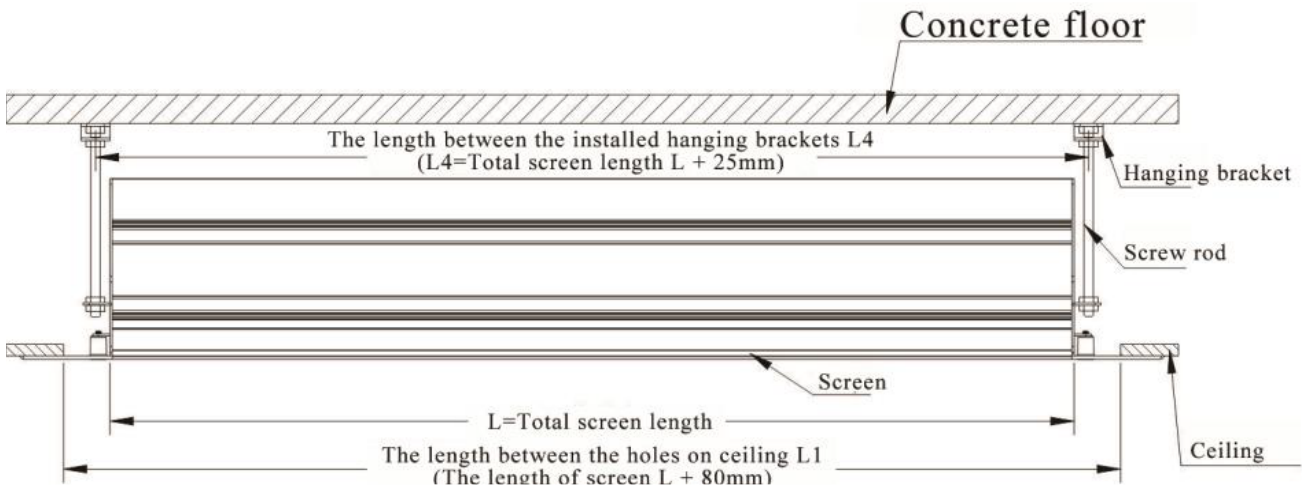
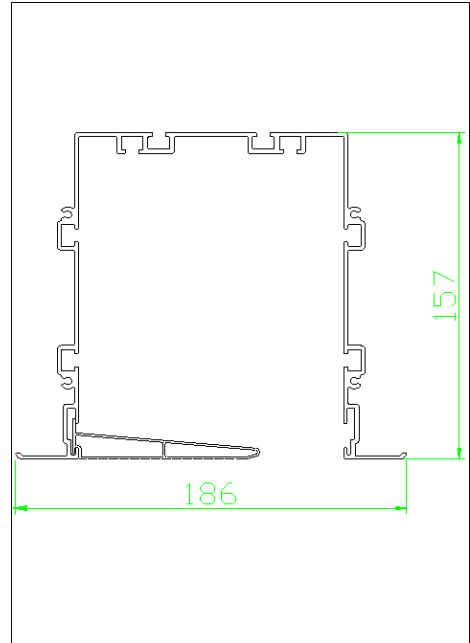
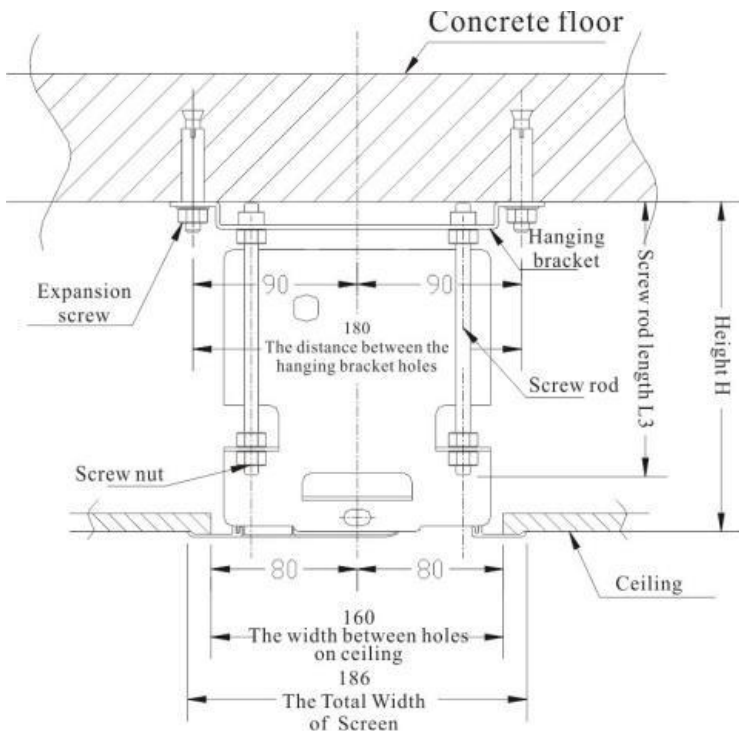
Electrically operated HD projection screens are available in various sizes and aspect ratios. White *in-ceiling* aluminium case. High-quality tab-tensioned fiberglass material. Available in Matt White fabric & (**Grey Fabric***) Advanced tubular motor for quiet, fast operation. White aluminium weight bar to keep the fabric flat. External remote control receiver RF remote, 12-volt trigger, RS232. Mounting brackets & fasteners, remote cradle. Sizes are viewing areas. Available aspect ratios are 16:9 and 16:10.

***16:9 only – up to 133"**



Technical Specifications

| Format | Diag. Size (inch) | Viewing area W x H (mm) | Case Length without bracket (mm) | Total Height (mm) | Black Drop (mm) | Packing Size (mm) LxWxH | Gross Weight (kg) | Manu Model # | Soltech Code (High Contrast Grey Fabric) |
|--------|-------------------|-------------------------|----------------------------------|-------------------|-----------------|-------------------------|-------------------|-------------------|--|
| 16:9 | 92" | 2030 x 1140 | 2385 | 1680 | 650 | 2580x220x220 | 24 | JK HD3 E9 92TIC | JK HD3 E9 92TICG |
| | 106" | 2345 x 1320 | 2700 | 1860 | 470 | 2830x220x220 | 26 | JK HD3 E9 106TIC | JK HD3 E9 106TICG |
| | 119" | 2635 x 1480 | 2990 | 1960 | 310 | 3240x220x220 | 28 | JK HD3 E9 119TIC | JK HD3 E9 119TICG |
| | 133" | 2950 x 1655 | 3305 | 2010 | 140 | 3500x220x220 | 30 | JK HD3 E9 133TIC | JK HD3 E9 133TICG |
| | 150" | 3320 x 1780 | 3675 | 2150 | 100 | 3880x220x220 | 32 | JK HD3 E9 150TIC | N/A |
| 16:10 | 92" | 1980 x 1240 | 2335 | 1760 | 550 | 2530x220x220 | 23 | JK HD3 E10 92TIC | N/A |
| | 106" | 2345 x 1320 | 2700 | 1890 | 470 | 2830x220x220 | 25 | JK HD3 E10 106TIC | N/A |
| | 119" | 2560 x 1600 | 2915 | 1960 | 200 | 3110x220x220 | 27 | JK HD3 E10 119TIC | N/A |
| | 133" | 2860 x 1790 | 3215 | 2010 | 100 | 3410x220x220 | 29 | JK HD3 E10 133TIC | N/A |
| | 150" | 3230 x 2020 | 3585 with internal remote | 2290 | 100 | 3790x220x220 | 31 | JK HD3 E10 150TIC | N/A |



JHB
 011-789 9549
 brite@soltech.co.za
 www.soltech.co.za

CPT
 021-683-0377
 capsol@soltech.co.za

SOLUTION[®]
TECHNOLOGIES 
 SPECIALIST AUDIOVISUAL DISTRIBUTOR